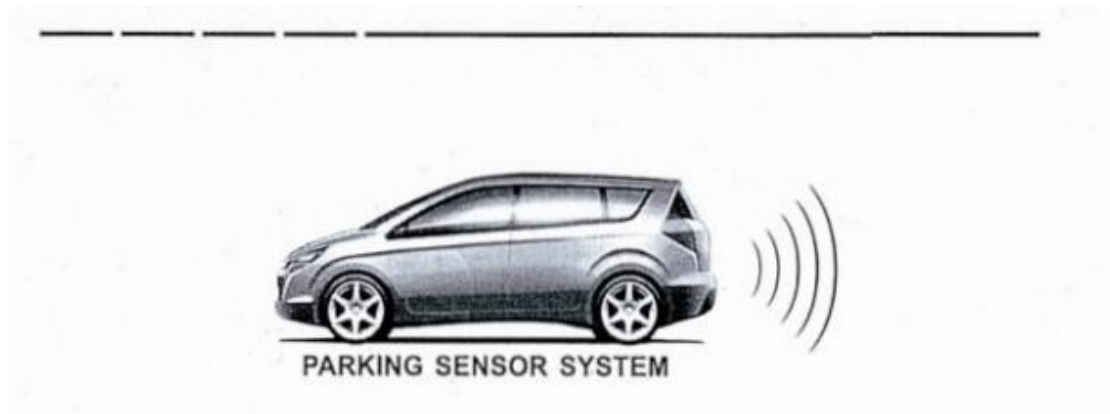


PARKING SENSOR SYSTEM



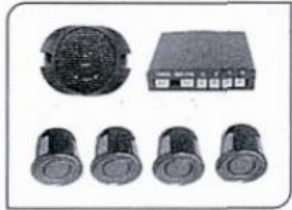
GENERAL

Car parking sensor consists of ultrasonic sensors, digital control box, camera and LED/LCD/TFT display. This system detects the distance between the car and back obstruction with ultrasonic sensors installed at the rear bumper of car.

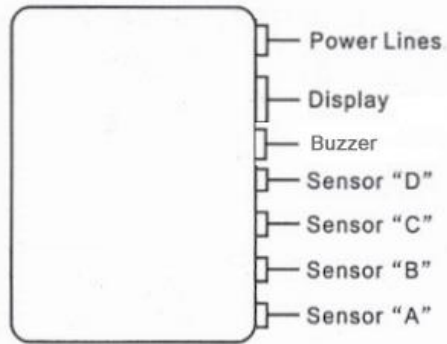
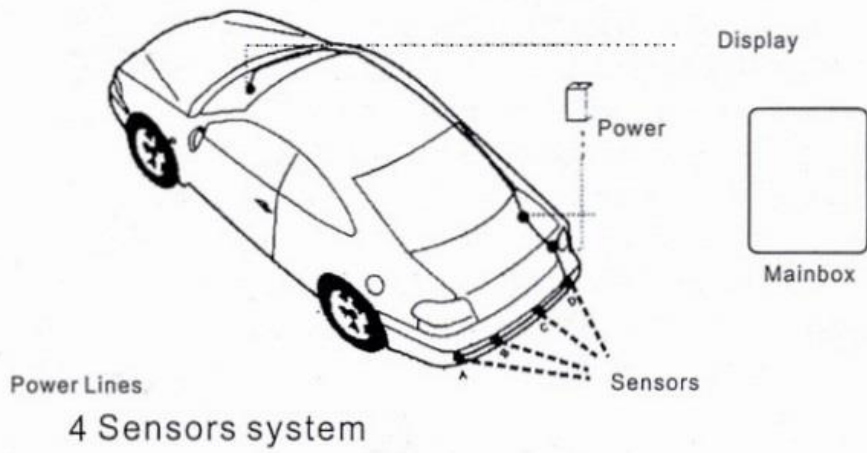
The obstruction image will be shown via the camera. With the change of alarm sound, detect the safe area correctly. It is best choice for the safe of your car.

Models Selection

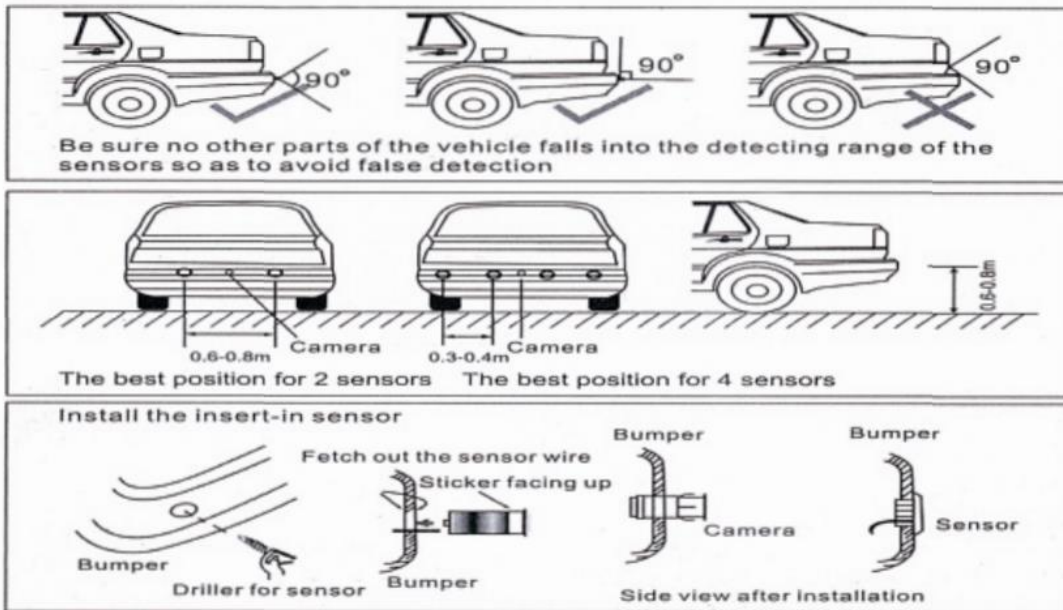
We can offer different kinds of parking sensors system.



Installation Diagram



SENSOR INSTALLATION

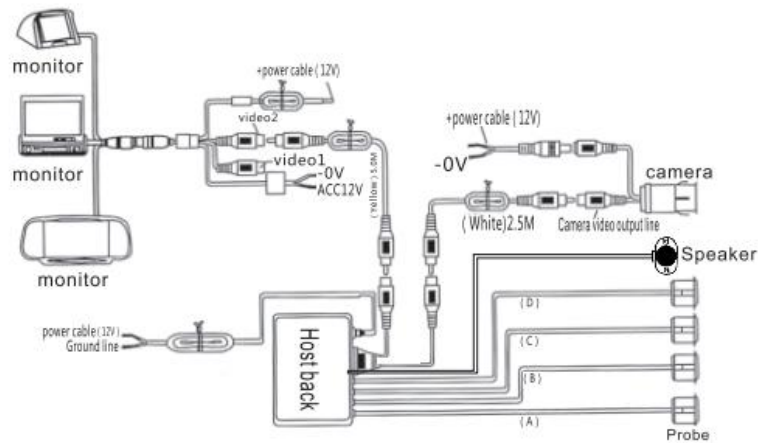
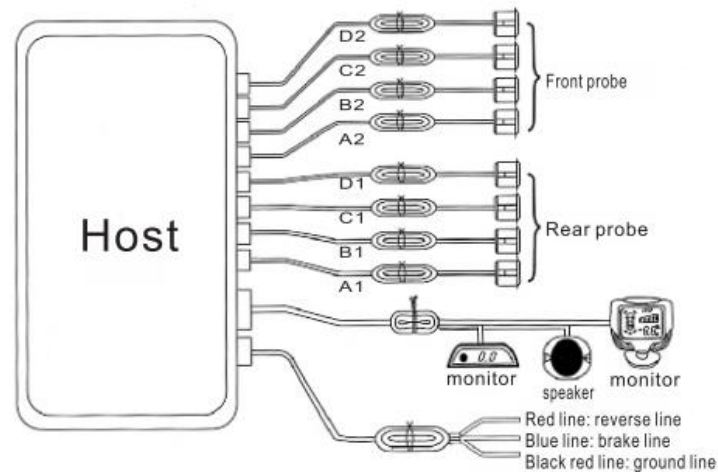


Alarm Mode

Stages	Distance	Awareness	Sound Alarm	Number	color		Bar
					Video	LED/LCD	
1	> 250cm	Safe area	silence		white		No bars
2	160-250cm	Safe area	silence	1.6-2.5	white		1
3	100-150	Safe area	Dang...Dang...	1.0-1.5	white	Green	1-6
4	70-90cm	Alert area	Dang..Dang..	0.7-0.9	white	Green+yellow	7-9
5	40-60cm		Dang..Dang..	0.5-0.6	white	Green+yellow	10
6	0-30cm	Dangerous area	DangDang... ..	0.0-0.4	white	Green+yellow+red	10

Technical Date

1. Rate Voltage: 12V
2. Operation Voltage range: 10.5-16V
3. Rated current: 40-300mA
4. Detecting distance: 0.3-2.5m
5. Ultrasonic Frequency : 40KHz
6. Working temperature: -40-+80°C
7. Display working temperature: 0-+60°C



NOTE

1. Please pay attention to the difference on the size of the driller for camera and the sensors (Camera: 25mm: Sensor: 22.5mm)
2. When install the system, the car should be in powered off situation.
3. The performance maybe affected in the following situation: heavy rain: the gravel road, bumpy road, sloping road and bush: very hot, cold or moist weather, the sensors is covered by snow, ice mud, etc.
4. Other ultrasonic or electric wave. the instance of DC/AC switch or 24/12v switch maybe affect the performance of the system
5. The sensor should not be installed too tightly or too loose
6. The metal bumper maybe affect the performance of the system
7. Don't locate the control unit near to other interference such as exhaust pipe or other wires
8. Test the system to make sure it work well before using.
9. This system is a reversing aid and the manufacturer takes no responsibility for any accidents caused after the kit is installed

